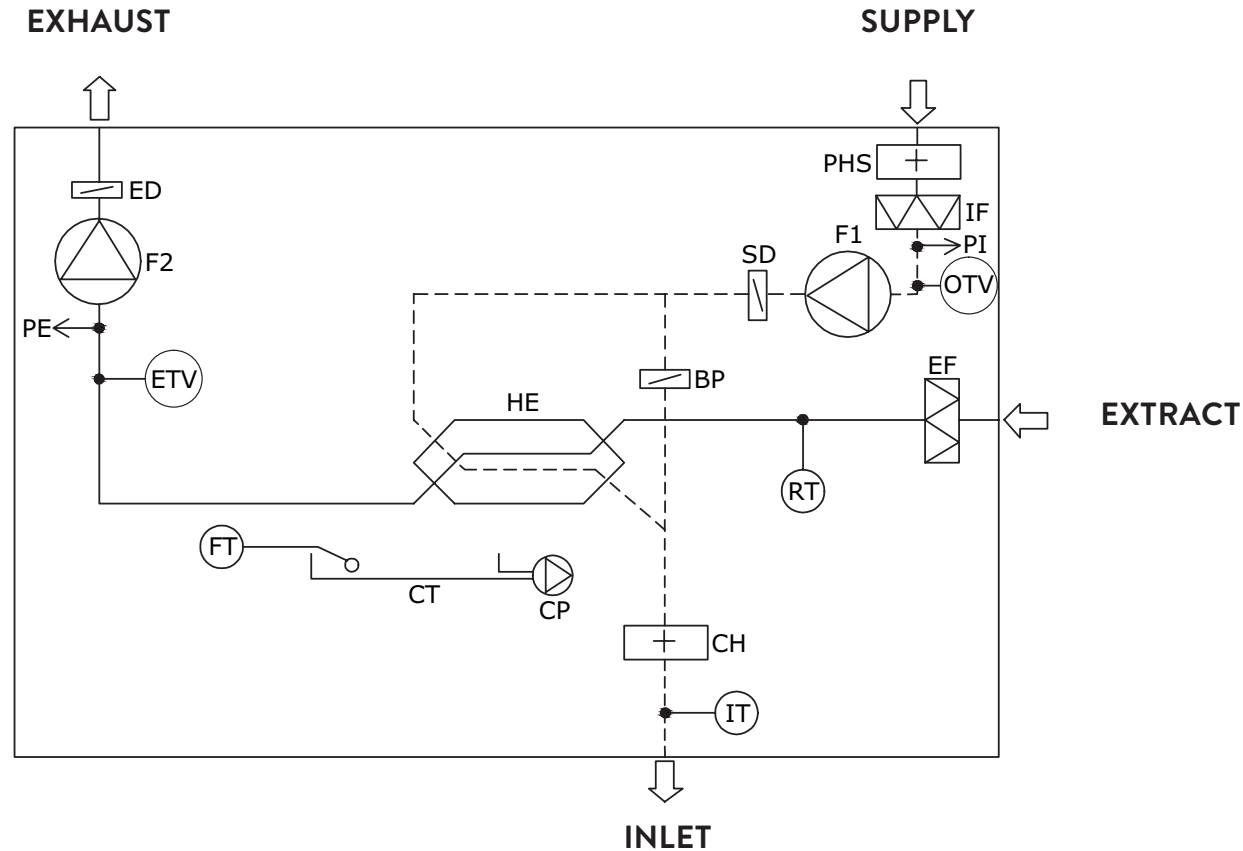


AM 900 Displacement



Name of component

BP	Bypass (motor driven, option)	FT	Float	PE	Airflow-measurement, extraction flow
CH	Comfort Heater (option)	F1	Inlet fan	PHS	PreHeating Surface (option)
CP	Condensate Pump (option)	F2	Extraction fan	PI	Airflow-measurement, inlet flow
CT	Condensate Tray	HE	Countercurrent Heat Exchanger	RT	Room temperature sensor
ED	Exhaust Damper (motor driven)	IF	Fresh air filter	SD	Supply Damper (motor driven)
EF	Extraction air filter	IT	Inlet temperature sensor		
ETV	Exhaust temperature sensor	OTV	Outdoor temperature sensor		
	Air Handling Unit		Air Handling Unit		